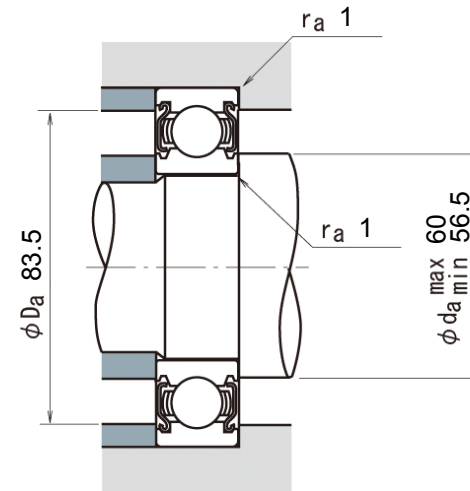
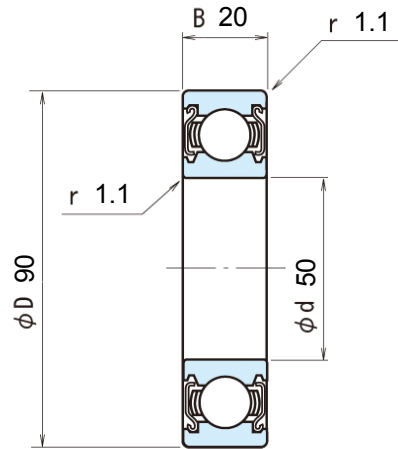


Boundary Dimensions (mm)				Basic Load Ratings (kN)		Limiting Speeds (min ⁻¹)		Bearing Numbers	NSKHPS
<i>d</i>	<i>D</i>	<i>B</i>	<i>r</i> min.	<i>C_r</i>	<i>C_{0r}</i>	Grease	Oil		
50	90	20	1.1	35	23.2	7100	-	6210ZZ	



Factor	Mass (kg)
f_0	approx.
14.4	0.459